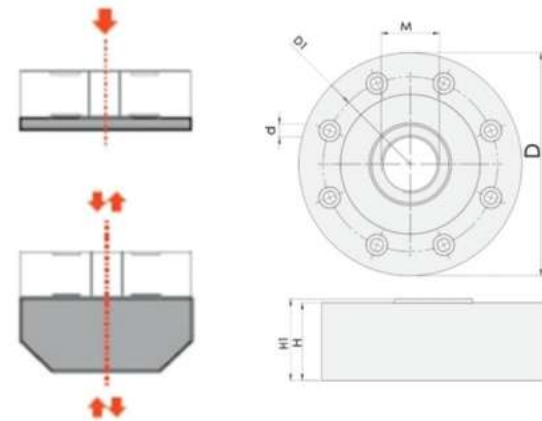
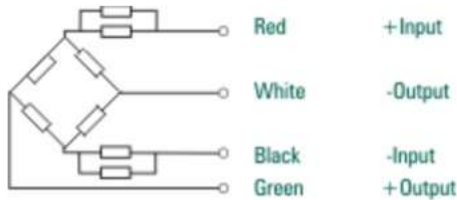


## Pan Cake Type Loadcell

SSLC 203 is another model in our testing machine load Cell list which manufactured from the latest and modern technology. It is suitable for multiform environment and easy to install and use. The entire collections of our products are featured with tough body, user friendly design. We manufacture these products using quality raw material and ensure quality before the final supply.

### Wiring Schematic Diagram



### Dimensions:

| CAP             | D   | D1  | d      | M       | H  | H1 |
|-----------------|-----|-----|--------|---------|----|----|
| 200kg to 5000kg | 105 | 90  | 6.2*8  | M16*1.5 | 32 | 36 |
| 10000kg&15000kg | 115 | 90  | 10.2*8 | M30*2   | 40 | 42 |
| 20T to 30T      | 155 | 125 | 16.5*8 | M39*2   | 50 | 52 |
| 50T             | 205 | 165 | 16.5*8 | M48*2   | 60 | 65 |
| 100T            | 280 | 222 | 20.5*8 | M72*2   | 90 | 95 |

### Specifications :

| Related Load (Ton) 0.2, 0.5, 1, 2, 3, 5, 10, 20, 30, 50, 100 |   |
|--|---|
| Precision <b>C2</b>  | Insulation Resistance(M Ω) -                |
| Composition Error $\pm 0.03$                                 | Excitation Voltage (V) <b>9~12 (DC/AC)</b>  |
| Rated Output (mv/v) <b>2 <math>\pm</math> 0.008</b>          | Compensated temp. Range (°C) <b>-10~+40</b> |
| Non-Linearity (%FS) <b>0.017</b>                             | Use Temp. Range (°C) <b>-20~+55</b>         |
| Hysteresis (%FS) <b>0.02</b>                                 | Temp. Effect on Zero (%FS/10°C) <b>0.05</b> |
| Repeatability (%FS) <b>0.01</b>                              | Temp. Effect on Span (%FS/10°C) <b>0.03</b> |
| Creep (%FS/30min) <b>0.03</b>                                | Safe Overload (%FS) <b>150</b>              |
| Zero Balance (%FS) $\pm 1$                                   | Ultimate Overload (%FS) <b>200</b>          |
| Input Resistance (Ω) <b>750 <math>\pm</math> 10</b>          | Defend Grade <b>IP65</b>                    |
| Output Resistance (Ω) <b>700 <math>\pm</math> 2</b>          | Cable <b>6mm, 6 mtr</b>                     |

Specifications are subject to change for improvements without prior notice.

### Features:

1. Alloy steel & Stainless steel structure
2. Nickel plated
3. Suitable for multiform environments
4. Easy to Install & Use

### Applications:

1. Hopper Scales
2. Other Electronic Weighing Devices
3. Futting Test
4. Hydraulic Press
5. Impact Test
6. Tank Weighing
7. Hopper Weighing

